

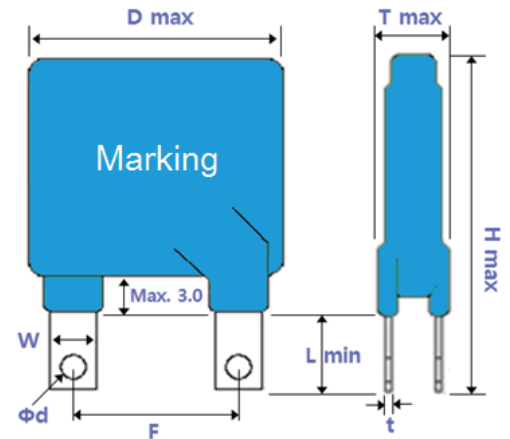
Lead Varistor Series, R34 series

Construction

Round varistor element, leaded
Coating : epoxy resin

Features

UL and VDE safety approvals.
Varistor voltage Medium & High voltage range 200V to 1,100V.
Lower clamping voltage for better surge protection.



Dimension Table

Dmax	Hmax	W	F	Φd	t	Lmin	Tmax
42.0	60.0	7.0 ± 0.5	25.4 ± 0.5	0.50 ± 0.05	3.30 ± 0.05	11.5	Please refer to electrical characteristics table

Medium & High voltage (Power dissipation : 1.0W) Electrical characteristics

Part no. (Logo : HP)	Varistor Voltage 1mA(V)			Max. Continuous Voltage(V)		Max. Clamping Voltage(V)		Energy (10/1000μs) Wtm(2ms)J	Peak Current (8/20μs) I _{tm} (A)		Dimen- -sion Tmax(mm)	Part no. (Logo : SYP)
	Min	V _{N(DC)}	Max.	V _{m(ac)}	V _{m(dc)}	V _{c(V)}	I _{p(A)}	Wtm(2ms)J	S-series	U-serise		
HVR201R34	180	200	220	130	170	340	300	310	40,000		9.0	SVR201R34
HVR241R34	216	240	264	150	200	395	300	360	40,000		9.0	SVR241R34
HVR271R34	247	270	297	175	225	455	300	410	40,000		9.5	SVR271R34
HVR361R34	324	360	396	230	300	595	300	460	40,000		9.7	SVR361R34
HVR391R34	351	390	429	250	320	650	300	490	40,000		10.3	SVR391R34
HVR431R34	387	430	473	275	350	710	300	550	40,000		10.6	SVR431R34
HVR471R34	423	470	517	300	385	775	300	590	40,000		10.6	SVR471R34
HVR511R34	459	510	561	320	415	845	300	630	40,000		11.2	SVR511R34
HVR561R34	504	560	616	350	455	925	300	720	40,000		11.2	SVR561R34
HVR621R34	558	620	682	385	505	1025	300	800	40,000		11.6	SVR621R34
HVR681R34	612	680	748	420	560	1120	300	910	40,000		11.6	SVR681R34
HVR751R34	675	750	825	460	615	1240	300	960	40,000		11.8	SVR751R34
HVR781R34	702	780	858	485	640	1290	300	960	40,000		11.8	SVR781R34
HVR821R34	738	820	902	510	670	1355	300	960	40,000		11.8	SVR821R34
HVR911R34	819	910	1001	550	745	1500	300	960	40,000		12.0	SVR911R34
HVR102R34	900	1000	1100	625	825	1650	300	1100	40,000		12.6	SVR102R34
HVR112R34	990	1100	1210	680	895	1815	300	1100	40,000		13.2	SVR112R34